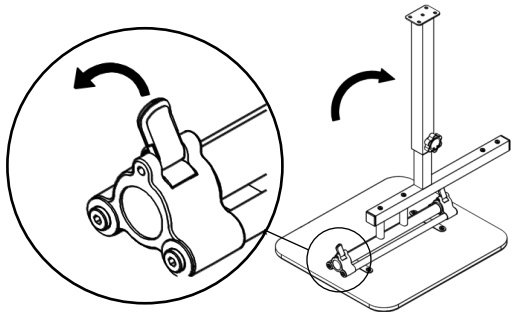


seville classics®

Tilting Sit-Stand Mobile Desk Cart with Mouse Pad Table



STEP 4.
Pull out the tabs on **MOUNT (E)**
and tilt the **T-BAR (D)** up.

Push the tabs back down to lock
the table.

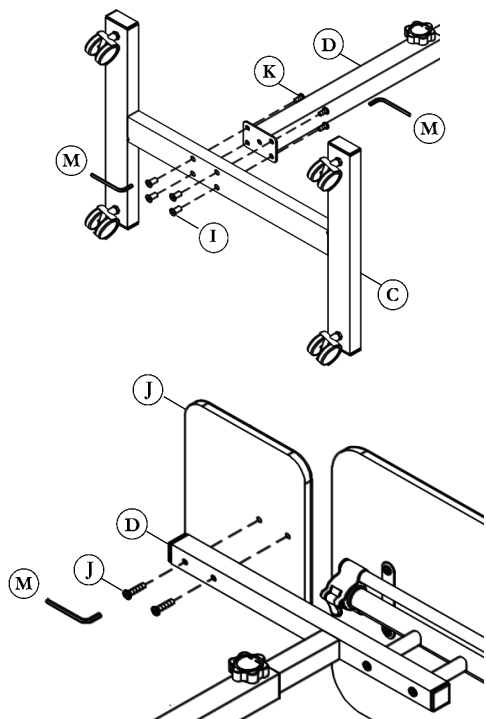
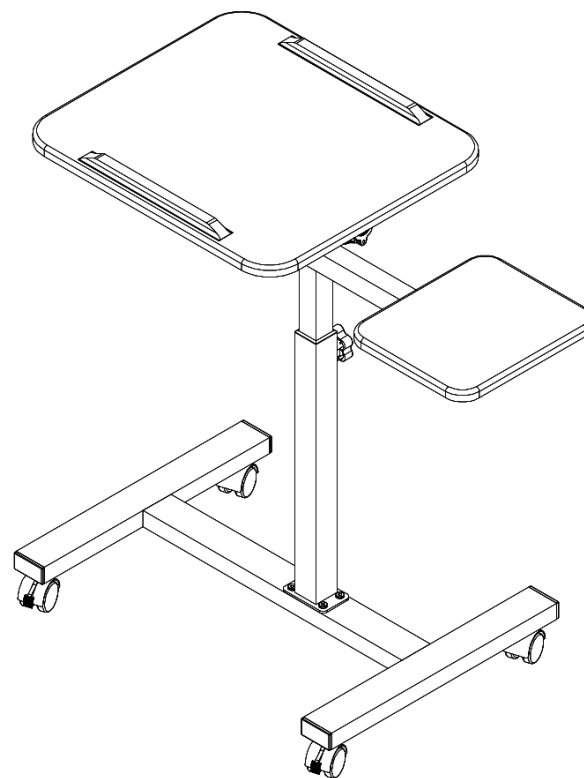
STEP 5.
Fit **BASE SLEEVE (I)** through
bottom of **BASE (C)**. Hold in place
with **HEX KEY (M)**.

Attach **T-BAR (D)** with **BASE
SCREW (K)** using second **HEX KEY (M)**. Repeat for all base screws.

STEP 6.
Attach **SIDE TABLE (B)** to
T-BAR (D) with **SIDE TABLE
SCREW (J)** using **HEX KEY (M)**.

Make sure all screws are tight
and turn desk onto wheels.

**Congratulations! Enjoy your new
Mobile Desk Cart!**



Use Instructions

- Move desk into desired position and lock casters to prevent movement.
- Turn the tension knob counter-clockwise to unlock height adjustment.
- Place hands on both sides of the top and pull up to lift; press down to lower the height.
- Turn tension knob clockwise until snug to secure the table height.
- Pull down tabs on the T-bar to unlock tilting function. Press up on tabs to lock the desk.

Safety

Make sure to secure the locks when using the desk
Do not place more than 20 lbs. on the desk top


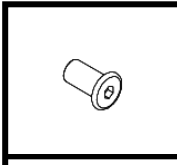
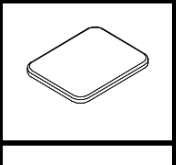
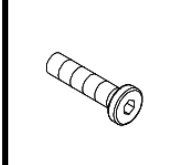
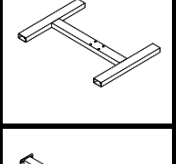
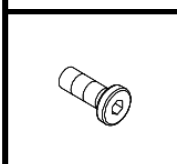
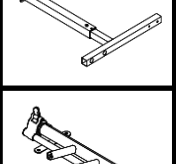
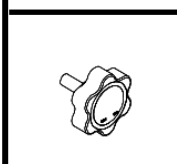
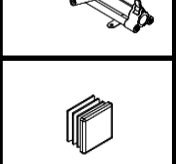
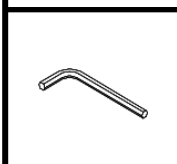
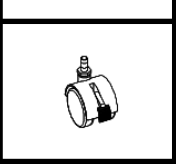
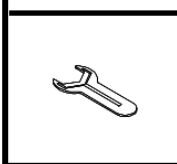


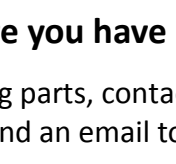
Customer Service Information

Telephone: (800) 323-5565
Fax: (310) 533-3899
Hours: 8:30 AM – 4:30 PM (PST)
Email: Support@SevilleClassics.com
Homepage: www.SevilleClassics.com

Model: WEB234, OFF65902

Thank you for choosing Seville Classics! We hope that you enjoy your new mobile desk cart. Please read through this user guide for parts list, assembly instructions, frequently asked questions and contact information.

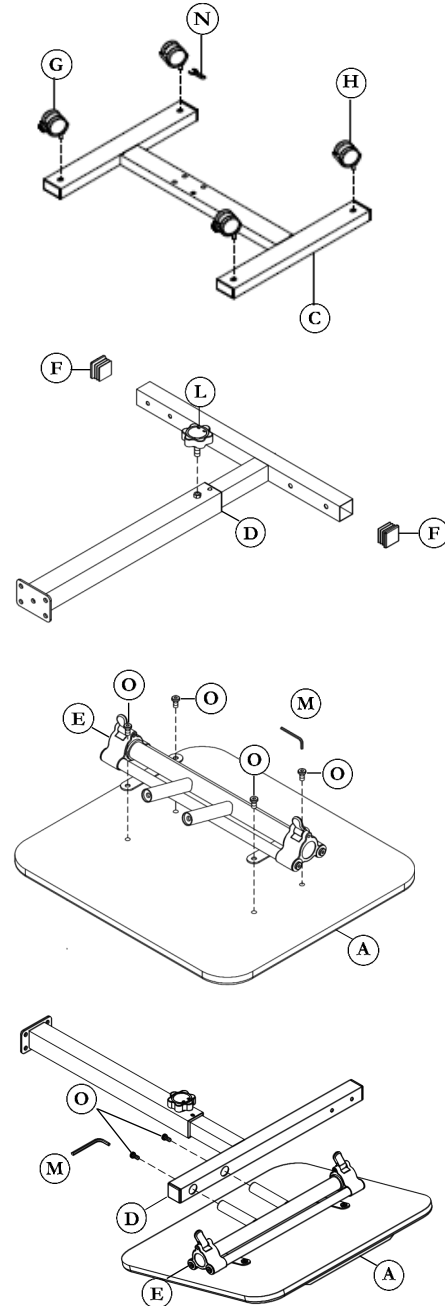
Parts List

A. Main table (1)		I. Base sleeve (4)	
B. Side table (1)		J. Side table screw (2)	
C. Base (1)		K. Base screw (4)	
D. T-Bar (1)		L. Knob (1)	
E. Mount (1)		M. Hex key (2)	
F. Small cap (2)		N. Wrench (1)	
G. Locking caster (2)		O. Top screw (6)	
H. Caster (2)			

Please make sure you have all the parts on this list.

If you're missing parts, contact us for replacements at (800) 323-5565 or send an email to Support@SevilleClassics.com

Assembly Instructions



STEP 1.

Screw pair of **CASTERS (H)** into open side of **BASE (C)** using **WRENCH (N)**.

Repeat on opposite side with **LOCKING CASTERS (G)**.

Press **SMALL CAPS (F)** into ends of **T-BAR (D)**.

Tighten **KNOB (L)** against t-bar.

STEP 2.

Install **MOUNT (E)** to the base of **MAIN TABLE (A)** with **TOP SCREWS (O)** using **HEX KEY (M)**.

IMPORTANT!

Do not overtighten screws.
Overtightening screws may damage surface of table top.

STEP 3.

Install **T-BAR (D)** to **MOUNT (E)** with **TOP SCREWS (O)** using **HEX KEY (M)**.

